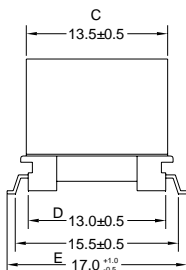
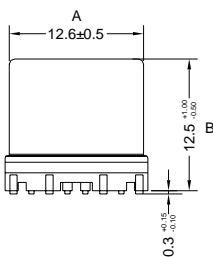
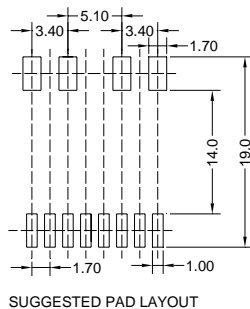
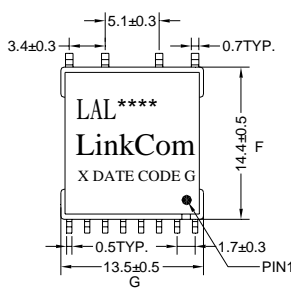


Broadband Access Transformer

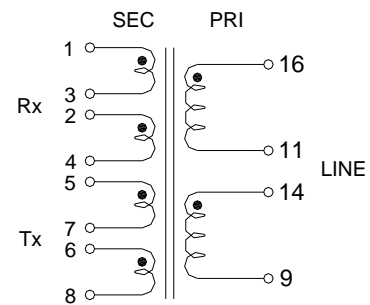
- Designed to meet UL 60950 and EN 60950 requirements for supplementary insulation and 250V working voltage
- RoHS Compliant
- Excellent THD performance
- Operating Temperature -40°C to 85°C

Electrical Specifications @25°C	
OCL:	PIN 16-9= 200uH ±10% @ 10KHz/0.1V/Ser.
Leakage Inductance:	PIN 16-9= 30uH Max. @ 100Hz/100mV
	PIN 16-9= 30uH Max. @ 100Hz/100mV
Interwinding Capacitance	PIN 16-1= 50 pF Max. @ 100KHz/100mV
	PIN 16-5= 80 pF Max. @ 100KHz/100mV
T.H.D	PIN 16-9 to PIN 1-4= -80dB Max. @ 30KHz/2V
	PIN 16-9 to PIN 5-8= -80dB Max. @ 30KHz/2V
D.C.R:	PIN 1-4 = 10 ohm Max. PIN 5-8 = 2.0 ohm Max.
	PIN 16-9 = 5.0 ohm Max.
Hi-POT :	PRI. – SEC. =1875VAC/60Hz/2Seconds/1mA
Turn Ratio:	PIN16-9 : PIN 1-4 = 1±2% :1
	PIN16-9 : PIN 5-8 = 3.8±2% :1

Dimensions (Units: mm)



Schematic



Mark

- 1.LAL ****----LAL2066
2. X----PRODUCT LINE
3. DATE CODE----YYWW
4. G----RoHS